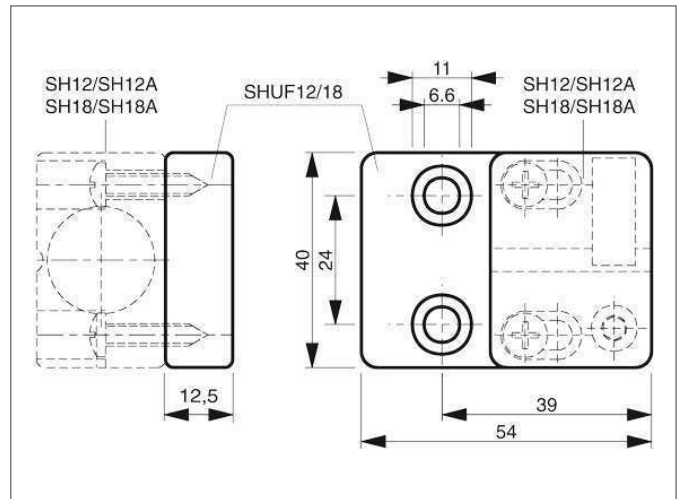


SHUF 12/18 Bottom Part for Sensor Holder

- Mounting plate for sensor holder SH
- Simple installation
- Reduced mounting/downtimes thanks to one-piece construction
- Sensor exchange without changing the clamp position



TECHNICAL INFORMATION (typ.)

Size

+20°C, 24V DC

54 x 40 x 12,5 mm (Dimensions)
24 mm (Clamping diameter G)

Casing material

plastics (polyamide - PA 6 GK)